



## prime-prox Classic Design

### proximity readers for Legic, Mifare and Hitag

primion has developed a portfolio of proximity readers to meet the highest security requirements, while at the same time offering high levels of user comfort. Cards don't need to be swiped or inserted. Just hold your proximity card, or key tag, within the specified read area and the reader is activated.

Through the modular system construction, a proximity reader can be selected with or without a keypad. The use of a reader and a keypad offers an increased level of security, as both a card and a PINcode are required to gain access. The keypad has an ergonomic design and gives a reassuring "click" each time you press a key.

The units offer easy handling and simple installation and thanks to their attractive and robust design, they can fit into any surroundings. They are designed for a long service life and as they don't have any moving or wearing parts, service costs are reduced to an absolute minimum.

The readers themselves are connected to a primion IDT Access control unit, which takes care of all the programmed actions. No intelligence is actually stored within the reader, which means that the units conform to the highest security standards.

Apart from the standard card, we also offer a "lo-cost" card version, a photo ID card and the ever popular and practical key tag.

#### Features

- Suitable for Access control and Time recording
- Available with different card technologies
- High security level
- Modular system
- User feedback through LEDs
- Suitable for internal and external installation
- Many different application areas
- Large range of accessories
- Simple installation
- Easy handling
- Low maintenance requirements
- Available with keypad
- Read distances  
Hitag-module: 8 cm  
Mifare-module: 2 cm  
Legic-module: 5 cm / 15 cm
- Integrated sounder

|             |
|-------------|
| L021-162.01 |
| L031-162.01 |
| L021-157.01 |
| L031-157.01 |
| L021-180.01 |
| L031-180.01 |
| L021-220.01 |
| L021-120.01 |
| L031-220.01 |
| L031-120.01 |

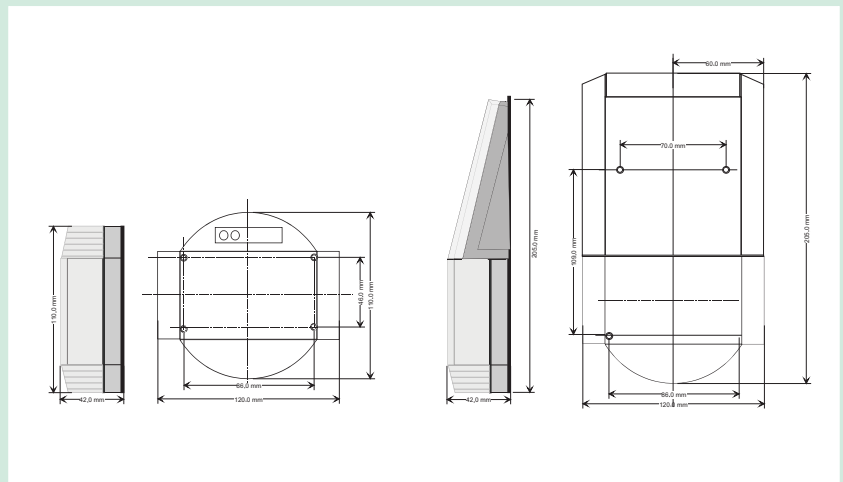
|   |
|---|
| prime-prox EM8 reader (8 cm read distance) with Hitag EM4102 module             |
| prime-prox EMK8 reader (8 cm read distance) with keypad and Hitag EM4102 module |
| prime-prox H8 reader (8 cm read distance) with Hitag1 module                    |
| prime-prox HK8 reader (8 cm read distance) with keypad and Hitag1 module        |
| prime-prox M2 reader (2 cm read distance) with Mifare module                    |
| prime-prox MK2 reader (2 cm read distance) with keypad and Mifare module        |
| prime-prox L10 reader (15 cm read distance) with Legic module                   |
| prime-prox L5 reader (5 cm read distance) with Legic module                     |
| prime-prox LK10 reader (15 cm read distance) with keypad and Legic module       |
| prime-prox LK5 reader (5 cm read distance) with keypad and Legic module         |

## proximity readers for Legic, Mifare and Hitag



### Technical Data

|   |  |
|---|--|
| <b>Power supply</b>                                 | 12V DC $\pm$ 10%   |
| <b>Power consumption</b>                            |  |
| Hitag   | Max. 200 mA  |
| Mifare  | Max. 250 mA  |
| Legic L5/LK5  | Max. 100 mA  |
| L10/LK10  | Max. 150 mA  |
| <b>Reader interface</b>                             | Clock/Data, TTL level, 7 wire                              |
| <b>Keypad interface</b>                             | Matrix 3 x 4   |
| <b>Protection class</b>                             | IP54   |
| <b>Ambient temperature</b>                          |  |
| Hitag   | -10°C - +70°C  |
| Mifare  | -10°C - +70°C  |
| Legic   | -25°C - +65°   |
| <b>Relative humidity<br/>(without condensation)</b> | max. 95%   |
| <b>Weight</b>                                       | With keypad approx 0.6 kg<br>Without keypad approx. 0.4 kg |
| <b>Housing</b>                                      | Impact-resistant synthetic material                        |
| <b>Colour</b>                                       | Light grey, RAL 7035                                       |



### Zubehör

|             |   |
|-------------|---|
| Z040-060.01 | Mounting column for prox reader without keypad, stainless steel         |
| Z040-010.01 | Mounting column for prox reader without keypad, powder-coated, RAL 7035 |
| Z040-070.01 | Mounting column for prox reader with keypad, stainless steel            |
| Z040-020.01 | Mounting column for prox reader with keypad, powder-coated, RAL 7035    |
| Z050-010.01 | Weather-proof housing for prox reader without keypad                    |
| Z050-020.01 | Weather-proof housing for prox reader with keypad                       |
| Z030-050.01 | Weather-proof housing with privacy screen for prox reader with keypad   |



### Atermon Systems S.A.

224 Messogion Avenue,  
GR 15561 Holargos,  
Athens, Greece  
Tel. : (+30) 210 6544534  
(+30) 210 6549864  
Fax : (+30) 210 6561380  
www.atermon.gr  
Email : info@atermon.gr