

## prime-switch-prox

### proximity readers for Legic, Mifare and Hitag

primion has developed the prime-switch-prox in order to meet high security requirements while at the same time offering high levels of user comfort and design features

With its integrated transmitter, the proximity Legic module enables both Access control and Time management applications using cards or key tags. If required, the prime-switch-prox can also include LEDs to indicate the operational status.

The reader can be installed in interior or exterior locations and features problem-free handling and simple installation in a standard UP switch housing. Through its high quality, the prime-switch-prox is assured a long service life and service costs are kept to an absolute minimum.

Its dimensions are such that it will fit into all standard models from the Jung switch portfolio. This means that a first glance, it doesn't stand out as being an Access or Time management reader.

Thanks to its modern design, the unit can fit into almost any existing location and it certainly won't look out of place in any surroundings.

#### Features

- Suitable for Access control and Time recording
- Available with different card technologies
- High security level
- Modern design with Jung light switch range
- User feedback through LEDs (optional)
- Suitable for internal and external installation
- Many different application areas
- Simple installation in standard switch boxes
- Easy handling
- Read distances  
Hitag module: 8 cm  
Mifare module 2 cm  
Legic module: 5 cm
- Low maintenance requirements

L091-157.01

prime-switch-prox H8 reader (8 cm read distance) with Hitag module

L091-1xx.01

prime-switch-prox M2 reader (2 cm read distance) with Mifare module

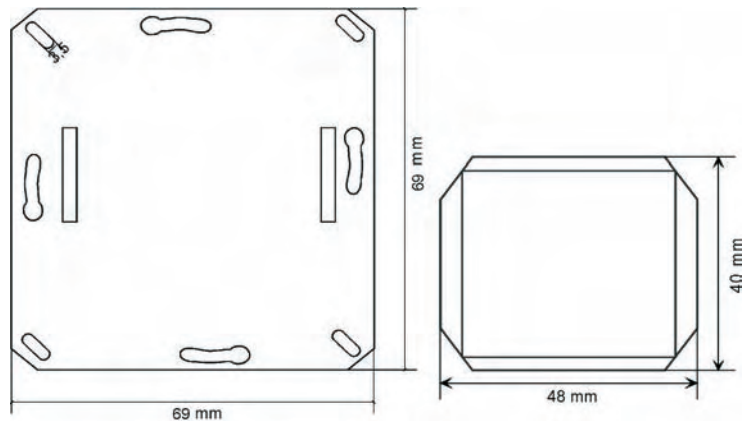
L091-120.01

prime-switch-prox L5 reader (5 cm read distance) with Legic module

## proximity readers for Legic, Mifare and Hitag

### Technical Data

<b>Power supply</b>	12V DC $\pm$ 10%
<b>Power consumption</b>	
Hitag:	Max. 200 mA
Mifare:	Max. 250 mA
Legic:	Max. 100 mA
<b>Reader interface</b>	Clock/Data, TTL level, 7 wire
<b>Ambient temperature</b>	
Hitag:	-10°C - +70°C
Mifare:	-10°C - +70°C
Legic:	-25°C - +65°
<b>Relative humidity (without condensation)</b>	max. 99%
<b>Protection class</b>	IP30
<b>Housing</b>	Suitable for switch covers from the Jung and GIRA companies



Dimensions - Legic reader

Dimensions - Hitag/Mifare readers



### Atermon Systems S.A.

224 Messogion Avenue,  
GR 15561 Holargos,  
Athens, Greece  
Tel. : (+30) 210 6544534  
(+30) 210 6549864  
Fax : (+30) 210 6561380  
www.atermon.gr  
Email : info@atermon.gr