



## DT 100 FP

### Stand-alone data terminal for biometrics-supported time recording

The DT 100 FP terminal has been developed to meet the requirements of applications where high-security is called for.

Thanks to its robust and compact construction, the state-of-the-art optical fingerprint sensor is particularly well-suited for high levels of daily use. The surface of the optical sensor is virtually scratch-resistant, making the terminal suitable for almost all applications.

Three different memory versions of the fingerprint controller are available, with capacities for 1,000, 6,000 or 10,000 fingerprints respectively.

User friendliness and operational comfort are a high priority. Booking selections and account queries are made over the foil keypad with its clear function symbols and its reassuring, confirmatory click. Individual time data such as arrivals, departures, overtime, etc. can be queried at the terminal along with other functions, in online and offline modes. The 2 line, 16 digit LCD display offers backlighting and a very clear resolution, for the definable text strings that are downloaded from the host.

These reliable terminals have been designed for a long service life and as they don't have any moving parts, service costs are reduced to an absolute minimum.

#### Features

- Memory for 2,000 employee records
- Buffer for at least 1,700 booking events
- Integrated quartz clock with date
- Battery-buffered data memory
- Integrated RS485 and RS232 interfaces for PC or modem connection
- 12 VDC power supply
- Query dialogue in on-line and off-line mode
- 8 freely selectable time accounts in offline mode
- Time account and booking corrections
- 8 freely programmable keys for query and dialogue functions. Each key can have 4 assignments
- Business absence (BA) key, for reason-based bookings
- Keys can be activated/deactivated on an individual employee basis
- Door opener function with integrated release relay
- Remote Data Telecommunications (RDT) functions integrated in firmware
- Absence inputs
- Optional Ethernet interface
- Optical fingerprint sensor
- Fingerprint identification for up to 5,000 records, each with 2 fingerprint templates
- Available with numerical keypad as option
- Housing supplied with light grey or silver colouring
- DES3 encryption with network communication

D211-118.01/D221-118.01

DT100 FP Terminal with capacity for 1,000 finger templates (500 persons) / with numerical keypad

D211-166.01/D221-166.01

DT100 FP Terminal with capacity for 6,000 finger templates (3,000 persons) / with numerical keypad

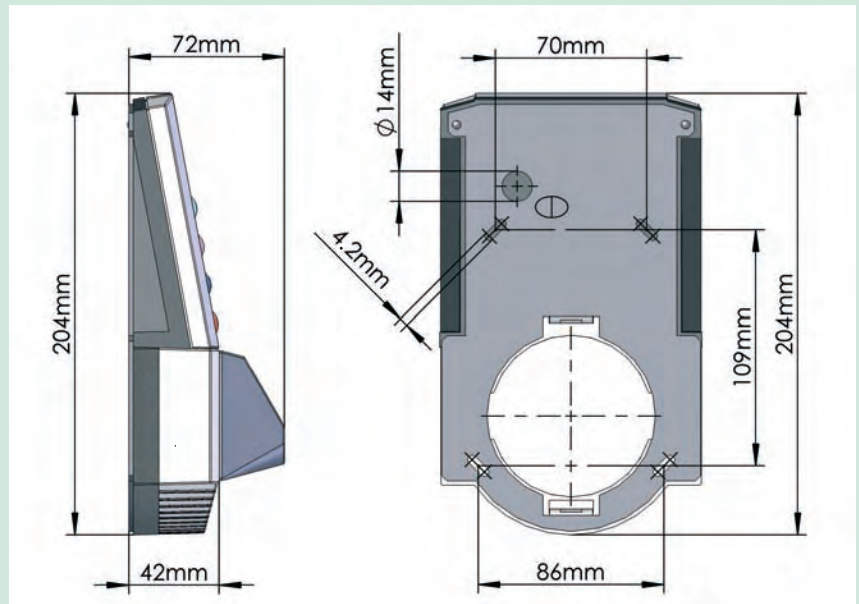
D211-167.01/D221-167.01

DT100 FP Terminal with capacity for 10,000 finger templates (5,000 persons) / with numerical keypad



**Technical Data**

<b>Power supply</b>	12 - 15 VDC
<b>Power consumption</b>	approx. 6 VA
<b>Reader interface</b>	Clock/Data, TTL-level
<b>Ambient temperature</b>	+5 - +40° C
<b>Relative humidity (without condensation)</b>	max. 95%
<b>Weight</b>	approx 1.1 kg
<b>Protection class</b>	IP30
<b>Housing</b>	Impact-resistant synthetic material
<b>EMC/CE mark</b>	EN 50081/82
<b>Colour</b>	Light grey, RAL 7035 Silver, RAL 9006
<b>Biometrics</b>	Optical sensor
<b>Fingerprint access times</b>	500 persons 1.0 - 1.4 sec. 3,000 persons 1.4 - 1.9 sec. 5,000 persons 1.7 - 2.4 sec.



**Accessories**

Z080-100.01	Power supply with integrated backup power, for surface installation
F608-000.01	Ethernet interface, incl. integrated backup power, for surface installation
F080-040.01	9V / 1A Pluggable power supply
	Power supply with integrated backup power



**Atermon Systems S.A.**

224 Messogion Avenue,  
GR 15561 Holargos,  
Athens, Greece  
Tel. : (+30) 210 6544534  
(+30) 210 6549864  
Fax : (+30) 210 6561380  
www.atermon.gr  
Email : info@atermon.gr