

## PKT Security door terminal

### PKT Security door terminal



With its integrated Mifare or Legic advant® reader, the unit reads the access rights that have been written onto an access card by a Master reader, with an online connection to the central database, and grants or denies access accordingly. These access rights are made up of several time periods with an overall validity period of up to 9 days. If the card is not presented to a Master reader for updating before this period has elapsed, the card and therefore the cardholder automatically lose their access rights at all offline components.

The PKT Security door terminal is particularly suited for applications where higher levels of security and/or stability are demanded.

As the access administration is fully integrated in the online system, the access rights of the autonomous offline units are handled easily and comfortably throughout the whole system. The requirement for individual programming of the PKT Door terminals is limited to date, time and address setting during initial commissioning.

The last 160 transactions are stored in the device. This data is automatically written back to the employee card at the time of the transaction and then transmitted to the central database the next time the card is presented to a Master reader. Additionally, the data can be read out from the offline component at any time using a special card and also transmitted to the central database through a Master reader. The data is then available for use in reports in the same way as normal online transactions. Because of the quick reaction times of the system, there is no appreciable time delay at the readers caused by the various read and write processes.

The door terminal contains the complete Prime Key Technology read and control electronics and represents an important component of this new technology. No cabling is required as power is supplied by standard batteries. Installation is very straightforward and requires no specialist knowledge. All standard bolt lengths from 50 mm are possible.

Please contact your local primion partner for details of usage with fire or smoke doors.

#### Features

- One green/red duo-LED to confirm commands and to show the battery warning status
- Proximity sensor to activate the reader electronics
- External handle deactivated if no authorisation
- Battery compartment accessible from the inside. Battery working life approx. 2 years at 25 transactions per day
- Access rights are administered in the host system
- Card or key fob used as information carrier, e.g. battery status, automatic booking transfer\*, blacklist\*. Reaction time, approx. 1 second
- Individual access rights per cardholder
- Special card authorisations, e.g. fire department card
- Toggle mode option (open with first booking, close with next)
- Fits all standard doors with a bolt length from 35 mm. Applications should be checked on case-by-case basis
- No authorisations stored locally
- Door can always be opened from the inside to enable emergency egress
- Can be used with emergency exit doors, in accordance with DIN EN 179
- Can be used with fire and smoke doors, in accordance with DIN 18273
- Intrusion protection in accordance with DIN EN 1906, Protection class 2

## PKT Security door terminal

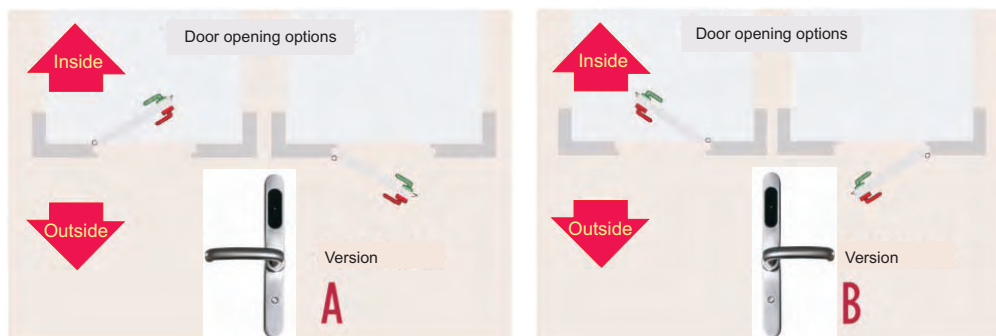


## PKT Security door terminal

### Technical data

<b>Ambient temperature</b>	+5 - +50 °C
<b>Relative humidity (without condensation)</b>	98%
<b>Housing</b>	Outside: Solid stainless steel housing, with brushed surface finish. Inside: Stainless steel deep-draw housing
<b>Protection class</b>	IP54
<b>Displays</b>	1 external duo-LED (green/red)
<b>Outside dimensions without handle</b>	320 x 36 x 25 mm
<b>Inside dimensions without handle</b>	320 x 36 x 39 mm
<b>Batteries</b>	4 x 1.5 V Mignon
<b>Battery working life</b>	Approx. 2 years at 25 transactions per day
<b>Read technology</b>	Mifare read/write LEGIC advant read/write
<b>Read distance</b>	Up to 2 cm
<b>Bolt length</b>	From 35 mm (From 30 mm under certain circumstances)
<b>Door leaf thickness</b>	See Versions table
<b>Available accessories</b>	Drilling template Battery set Deco-plate for covering any existing drilled holes when retrofitting
<b>Versions</b>	Version A/B (Left/Right) Handle spindle size: 8 mm / 9 mm Distances: 72 mm / 74 mm / 78 mm / 92 mm / 94 mm Door leaf thicknesses: 38-43 / 44 49 / 50-55 / 56-61 / 68-73 / 74 79 / 80-85 External handle/External knob

### Possible versions



Special versions for door leaf thicknesses > 85 mm and other handle designs can be delivered on request.

PKT Security door terminal – Number key / Example

I194-1XYZABC.01	PKT Mifare Security door terminal, with 128 kb Flash
I193-1XYZABC.01	PKT Legic advant® Security door terminal, with 128 kb Flash

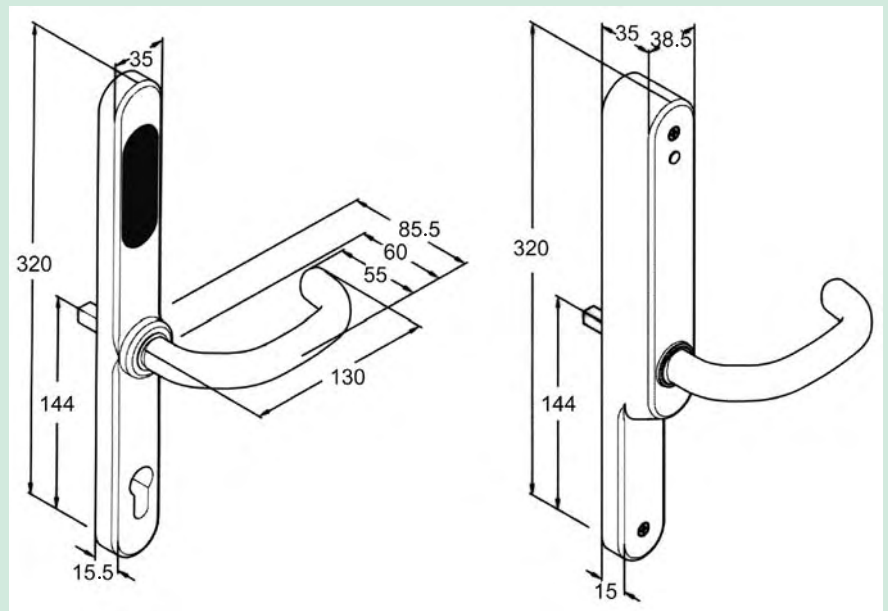
- With increased protection against manipulation
- Suitable for use with fire doors

X	8: 8 mm handle spindle 9: 9 mm handle spindle
Y	0: Door leaf thickness 38 - 43 mm 1: Door leaf thickness 44 - 49 mm 2: Door leaf thickness 50 - 55 mm 3: Door leaf thickness 56 - 61 mm 4: Door leaf thickness 62 - 67 mm 5: Door leaf thickness 68 - 73 mm 6: Door leaf thickness 74 - 79 mm 7: Door leaf thickness 80 - 85 mm
Z	1: Euro profile cylinder 2: Euro profile cylinder with cylinder protection 3: Swiss round cylinder, only with 74, 78 or 94 mm distances 4: Emergency opening contact
A	0: 72 mm distance 1: 92 mm distance 2: 74 mm distance (Only in combination with Swiss round cylinder) 3: 94 mm distance (Only in combination with Swiss round cylinder) 5: 78 mm distance (Only in combination with Swiss round cylinder) -: No cylinder cut-out
B	0: External knob (Ruko function) 1: External handle, cranked (Ruko function)
C	6: Version A 7: Version B

The Security door terminal is available in different versions. Please use the list of options shown here to “build” the configuration you require, which will then give you the corresponding part number.

**I194-1822117.01 would be:**

- Mifare Security door terminal
- 8 mm handle spindle
- Door leaf thickness of 50 - 55 mm
- Euro profile cylinder with cylinder protection
- 92 mm distance
- External handle, cranked
- Version B



**Safety advice**

In order to avoid the possibility of hand injuries when opening and closing the door and to increase the user security, there should be a safety distance between the handle and the door frame of at least 25 mm.



**Atermon Systems S.A.**

224 Messogion Avenue,  
GR 15561 Holargos,  
Athens, Greece  
Tel. : (+30) 210 6544534  
(+30) 210 6549864  
Fax : (+30) 210 6561380  
www.atermon.gr  
Email : info@atermon.gr