



PKT Comfort door terminal with stainless steel housing

PKT Comfort door terminal

PKT Comfort door terminal

The PKT Comfort door terminal, with its integrated Mifare or Legic advant[®] reader, reads the access rights that have been written onto an access card by a Master reader, with an online connection to the central database, and grants or denies access accordingly. These access rights are made up of several time periods with an overall validity period of up to 9 days. If the card is not presented to a Master reader for updating before this period has elapsed, the card and therefore the cardholder automatically lose their access rights at all offline components.

As the access administration is fully integrated in the online system, the access rights of the autonomous offline units are handled easily and comfortably throughout the whole system. The requirement for individual programming of the PKT Door terminals is limited to date, time and address setting during initial commissioning.

The last 160 transactions are stored in the device. This data is automatically written back to the employee card at the time of the transaction and then transmitted to the central database the next time the card is presented to a Master reader. Additionally, the data can be read out from the offline component at any time using a special card and also transmitted to the central database through a Master reader. The data is then available for use in reports in the same way as normal online transactions. Because of the quick reaction times of the system, there is no appreciable time delay at the readers caused by the various read and write processes.

The door terminal contains the complete Prime Key Technology read and control electronics and represents an important component of this new technology. No cabling is required as power is supplied by standard batteries. Installation is very straightforward and requires no specialist knowledge. All standard bolt lengths from 50 mm are possible.

As well as the stainless steel housing, the Comfort door terminal is also available with a plastic housing.

Features

- Three optical displays (green, red and yellow LEDs) to confirm commands and to show the battery warning status
- Proximity sensor to activate the reader electronics
- External handle deactivated if no authorisation
- Battery compartment accessible from the inside. Battery working life approx. 2 years at 25 transactions per day
- Access rights are administered in the host system
- Card or key fob used as information carrier, e.g. battery status, automatic booking transfer*, blacklist*. Reaction time, approx. 1 second
- No authorisations stored locally
- Individual access rights per cardholder
- Special card authorisations, e.g. fire department card
- Toggle mode option (open with first booking, close with next)
- Fits all standard doors
- Space for room/location labelling
- Door can always be opened from the inside to enable emergency egress

* In conjunction with 128 Kb flash

PKT Comfort door terminal



Comfort door terminal with plastic housing

PKT Comfort door terminal

Technical data (Plastic housing)

Ambient temperature	+5 - +50 °C
Relative humidity (without condensation)	98%
Housing	Outside: Zinc cast housing with plastic cover. Inside: Plastic cover on a steel mounting plate All covers have a silver-coloured coating. Internal and external cylinder cover can be removed.
Protection class	Outside part: IP50
Displays	Labelling field. 3 external LEDs (red, green, yellow) Sounder
Outside/inside dimensions without handle	285 x 60 x 29.5 mm
Batteries	3 x 1.5 V Mignon
Battery working life	Approx. 2 years at 25 transactions per day
Read technology	Mifare read/write oder LEGIC advant read/write
Read distance	Up to 2 cm
Bolt length	From 55 mm
Distance	72 or 92 mm
Door leaf thickness	40 mm to 79 mm
Available accessories	Drilling template, Battery set

The Comfort door terminal (plastic) is available in different versions. Please use the list of options shown here to "build" the configuration you require, which will then give you the corresponding part number, e.g. I184-013.01 would be a Mifare Comfort door terminal with plastic housing, for a door with a leaf thickness of 40 - 49 mm and power supply.

I184-0XY.01

PKT Mifare Comfort door terminal (plastic), with 128 kb Flash

I183-0XY.01

PKT Legic advant® Comfort door terminal (plastic), with 128 kb Flash

- | | |
|---|-----------------------------------|
| X | 1: Door leaf thickness 40 - 49 mm |
| | 2: Door leaf thickness 50 - 59 mm |
| | 3: Door leaf thickness 60 - 69 mm |
| | 4: Door leaf thickness 70 - 79 mm |
| Y | 3: With power supply |
| | 4: E-Time model |
| | 5: Without power supply |



Technical data (Stainless steel housing)

Ambient temperature	+5 - +50 °C
Relative humidity (without condensation)	98%
Housing	Outside: Zinc cast housing with stainless steel cover. Inside: Stainless steel cover on a steel mounting plate
Protection class	Outside part: IP50
Displays	Labelling field 3 external LEDs (red, green, yellow) Sounder
Outside/inside dimensions without handle	285 x 60 x 29.5 mm
Batteries	3 x 1.5 V Mignon
Battery working life	Approx. 2 years at 25 transactions per day
Read technology	Mifare read/write or LEGIC advant read/write
Read distance	Up to 2 cm
Bolt length	From 55 mm
Distance	72 or 92 mm
Door leaf thickness	40 mm to 79 mm
Available accessories	Drilling template, battery set

The Comfort door terminal (stainless steel) is available in different versions. Please use the list of options shown here to “build” the configuration you require, which will then give you the corresponding part number, e.g. I184-1111000.01 would be a Mifare Comfort door terminal with stainless steel housing, without cylinder, for a door with a leaf thickness of 40 - 49 mm and an 8 mm handle spindle.

I184-XXY1Z00.01

PKT Mifare Comfort door terminal (stainless steel), with 128 kb Flash

I183-XXY1Z00.01

PKT Legic advant® Comfort door terminal (stainless steel), with 128 kb Flash

- X 11: Without cylinder, standard
- 12: Without cylinder with emergency power contact
- 21: Euro profile cylinder, 72 mm distance
- 22: Euro profile cylinder, 92 mm distance
- 31: Swiss round cylinder, distance 74 mm
- 32: Swiss round cylinder, distance 78 mm
- 33: Swiss round cylinder, distance 94 mm

- Y 1: Door leaf thickness 40 - 49 mm
- 2: Door leaf thickness 50 - 59 mm
- 3: Door leaf thickness 60 - 69 mm
- 4: Door leaf thickness 70 - 79 mm

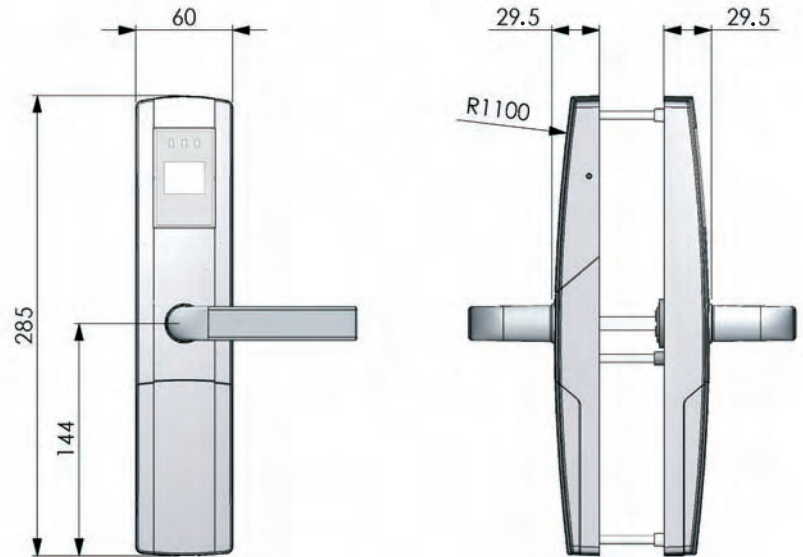
- Z 0: 8 mm handle spindle
- 1: 9 mm handle spindle



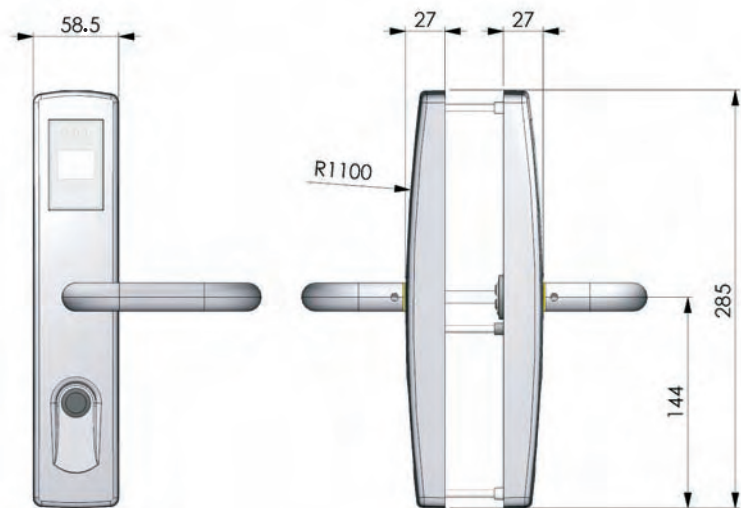
Safety advice

In order to avoid the possibility of hand injuries when opening and closing the door and to increase the user security, there should be a safety distance between the handle and the door frame of at least 25 mm.

PKT Comfort door terminal with plastic housing



PKT Comfort door terminal with stainless steel housing



Atermon Systems S.A.

224 Messogion Avenue,
GR 15561 Holargos,
Athens, Greece
Tel. : (+30) 210 6544534
(+30) 210 6549864
Fax : (+30) 210 6561380
www.atermon.gr
Email : info@atermon.gr